



ISU 128

128 KBPS ISDN Service Unit

Product Features

- Provides up to 128 kbps of dialed bandwidth for high-speed data applications
- Uses standard ISDN basic rate service
- Available in standalone or Smart 16/16e shelf rackmount
- Built-in network termination and terminal adapter functionality
- Supports data rates up to 128 kbps synchronous or 115.2 kbps asynchronous
- Supports BONDING and multilink PPP
- Supports dedicated 128 kbps 2B1Q service in a limited distance modem or leased line application
- Supports remote configuration over the ISDN line or externally
- Manual, automatic, and stored number dialing
- Windows® 95/98 plug-and-play compatible
- Standard five-year warranty

The ADTRAN ISDN Service Unit (ISU®) 128 connects data terminal equipment (DTE) to the ISDN network. The ISU 128® is a full featured singleport terminal adapter that allows cost-effective high-speed data transmission at rates up to 128 kbps. Available in standalone or rackmount configurations, the ISU 128 is ideal for LAN/WAN connectivity or disaster recovery.

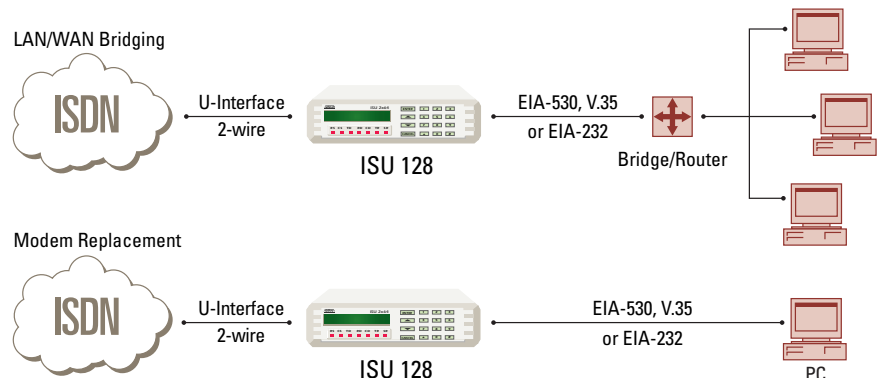
ISDN service is delivered from the network by a single 2-wire U-interface connected directly to the ISU 128. The ISU 128 responds to loopback commands from the telephone company central office to make testing easy.

The ISU 128 allows the user to migrate existing networks to an ISDN environment. The ISU 128 interoperates with V.34 modems (optional) and Switched 56 DSUs, as well as various ISDN terminal adapters, inverse multiplexers and multilink PPP compatible routers.

The ISU 128 provides connectivity to EIA-530, EIA-232 or V.35 DTE devices. The ISU 128 performs at synchronous data rates of 2400 bps to 128 kbps and asynchronous rates of 300 bps to 115.2 kbps. At rates over 64 kbps, multilink PPP or the Bonding delay equalization protocol synchronizes data over the two 64 kbps B channels.

The ISU 128 also supports dedicated leased 2B1Q services. This provides a dedicated point-to-point service with no dialing necessary.

The front panel of the ISU 128 standalone consists of a two-line by 16-character display, seven LEDs, and a 16-button keypad. Configuration, testing and monitoring of the unit can be accomplished through the front panel, a VT100 terminal connected to the maintenance port, or remotely over the ISDN line.





ADTRAN, Inc.

Attn: Enterprise Networks
901 Explorer Boulevard
Huntsville, AL 35806

P.O. Box 140000
Huntsville, AL 35814-4000

256 963-8000 voice
256 963-8699 fax
256 963-8200 fax back

General Information

800 9ADTRAN
info@adtran.com
www.adtran.com

Pre-Sales

Technical Support

800 615-1176 toll-free
application.engineer@adtran.com
www.adtran.com/support

Where to Buy

877 280-8416 toll-free
channel.sales@adtran.com
www.adtran.com/where2buy

Post-Sales

Technical Support

888 423-8726
support@adtran.com
www.adtran.com/support

ACES Installation & Maintenance Service

888 874-ACES
aces@adtran.com
www.adtran.com/support

International Inquiries

256 963 8000 voice
256 963-6300 fax
international@adtran.com
www.adtran.com/international

For the regional office nearest you, visit:

www.adtran.com/where2buy



I.S. EN ISO 9001
ADTRAN is a
ISO 9001 registered company.



TL 9000

ADTRAN is a
TL 9000 registered company.

Printed in the U.S.A.
61202029L2-8E May 2002

©2002 ADTRAN, Inc. All rights reserved.

ISU 128

128 KBPS ISDN Service Unit

Product Specifications

Network Interface

- RJ-45 for ISDN Basic Rate U-Interface

DTE Interface

- EIA-530, EIA-232, V.35

DTE Data Rates

- 2400 bps to 128 kbps synchronous
- 300 bps to 115.2 kbps asynchronous

Optional Analog Modem Interoperability

- V.34 compatible (standalone)
- Automatic fallback rate adaption

Protocols

- CCITT V.120, T-LINK, SAP, Clear Channel, DSU 57.6 Async, Async to Sync PPP, Multilink PPP (standalone only), BONDING Mode 1, Fallback

Interoperability

- BONDING-compatible inverse multiplexers, Switched 56 DSUs, ISDN TAs, ISUs, PPP compatible routers.

ISDN Switch Compatibility

- National ISDN-1, Lucent 5ESS®, Nortel DMS-100™, NEC

Dialing Selections

- Manual or automatic stored number dialing
- DTR assertion
- In-Band DTE Dialing: V.25 bis, AT commands
- Dial interface: EIA-366

Diagnostics and Testing

- Local and remote loopbacks, CCITT V.54 loopback, 2047 pattern, remote configuration

Display

- Two-line x 16-character LCD

Agency Approvals

- FCC Part 15 Class B, FCC Part 68, UL, CUL, CSA, and CS03

Environment

- Operating Temperature: 0° to 50°C, (32° to 122°F)
- Storage Temperature: -20° to 70°C, (-4° to 158°F)
- Relative Humidity: up to 95%, non-condensing

Physical

Dimensions

- Standalone: 2.25" H, 7.5" W, 10" D
- Rackmount: 1.0" H, 6.75" W, 10.5" D

Weight

- Standalone: 3 lbs
- Rackmount: 1.75 lbs

Power

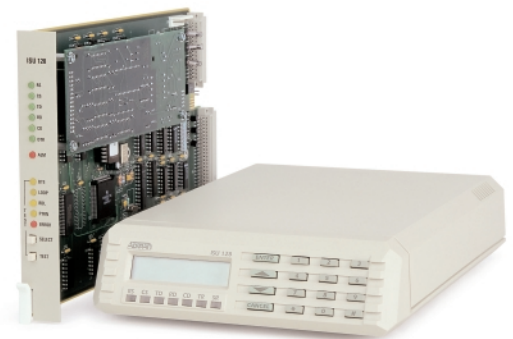
- 115 vAC, 60 Hz, 8 watts maximum dissipation

Product Includes

- 7' RJ-45 telephone cable
- User manual

Ordering Information

Equipment	Part #
ISU 128®, 115 vAC	1202029L2
ISU 128 with V.34 modem, 115 vAC	1202029L3
ISU 128, Rackmount, U-interface	1200087L1



Specifications subject to change without notice. ADTRAN is a trademark of ADTRAN, Inc. ISU and ISU 128 are registered trademarks of ADTRAN, Inc. 5ESS is a registered trademark of Lucent Technologies. DMS-100 is a trademark of Northern Telecom. Windows is a registered trademark of Microsoft Corporation. All registered trademarks and trademarks mentioned in this publication are the property of their respective owners.